



OptiRAY[®] E

LED Warning Beacon

Mounting instruction

Please retain for future reference

Technical data

	Voltage
Voltage	12-24 VDC
Lumens	216 Lumens
FPM	User Selectable
Amps	1A
Certification	SAE J845 Class I (red) , Class II (amber)
Mass	0.5 kg
Lamp type	LED

Wiring Instructions:

Double Flash Operation

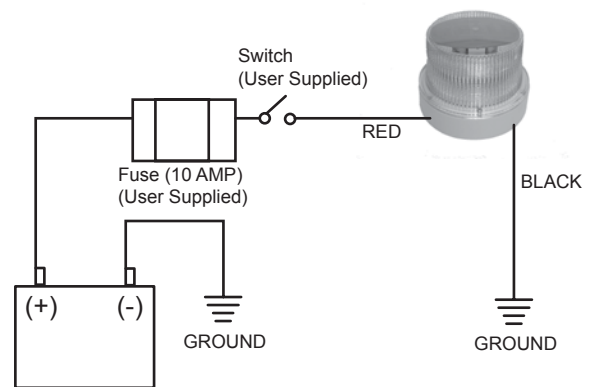
The wiring for this configuration is shown in the diagram. All wiring should be a minimum of 0.85 mm² (18 AWG). The red wire is positive and must have a 10 amp fuse. A switch may be used to control the on/off function. The black (negative) wire is connected to the battery ground.

Pipe Mounting

3/4" NPT pipe mounting kit is available.

Notes:

1. Use grommets and sealant when passing wiring through compartment walls. Minimize the number of splices to reduce voltage drop. High ambient temperatures (e.g. under hood) will significantly reduce the current carrying capacity of wires, fuses and circuit breakers. All wiring should conform to the minimum wire size and other recommendations of the manufacturer and be protected from moving parts and hot surfaces. Looms, grommets, cable ties, and similar installation hardware should be used to anchor and protect all wiring.
2. Fuses or circuit breakers should be located as close to the power takeoff points as possible and properly sized to protect wiring devices.
3. Particular attention should be paid to the location and method of making electrical connections and splices to protect these points from corrosion and loss of conductivity.
4. Ground termination should only be made to substantial chassis components, preferably directly to the vehicle battery.



Caution!

When drilling into any vehicle surface make sure that the area is free from any electrical wires, fuel lines, vehicle upholstery, etc., that could be damaged.

Troubleshooting

Notes:

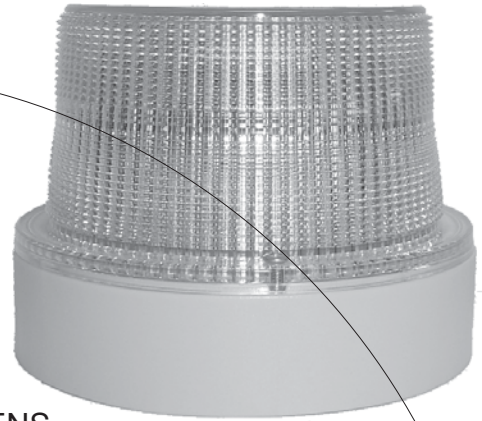
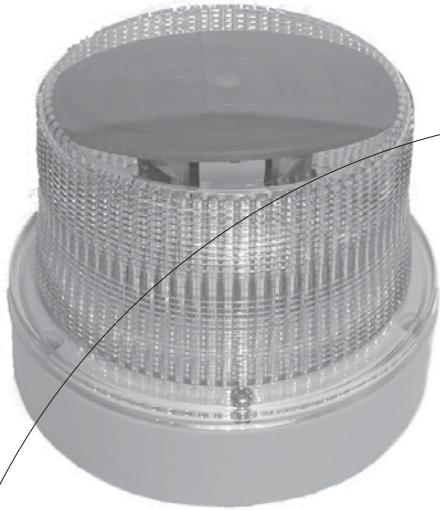
Most strobe failures, including intermittent or erratic operation as well as failure of operation, can be traced to wiring or battery problems. Check all wiring, connections, fuse, switch and battery voltages to insure that the correct voltage is reaching the strobe light.

- Hella shall be absolved from all responsibility for any modifications performed on the luminaire.
- Use only certified original equipment for replacement purposes.

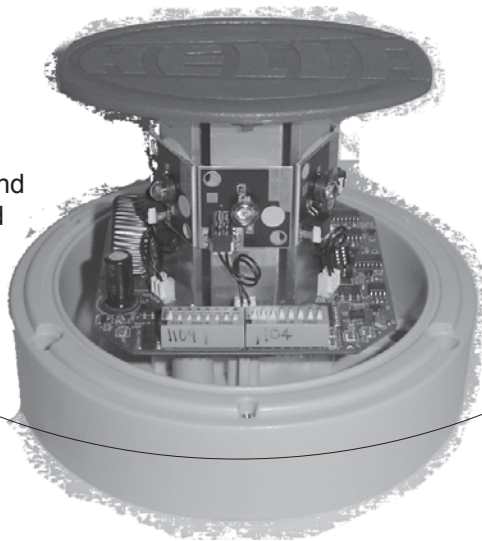


OptiRAY[®] E

LED Warning Beacon
Mounting instruction
Please retain for future reference



Spare part lens
Part Number 9.HM360LENS



Fixing screws, nuts and
star washers included



Fixing Centers (Actual Size)