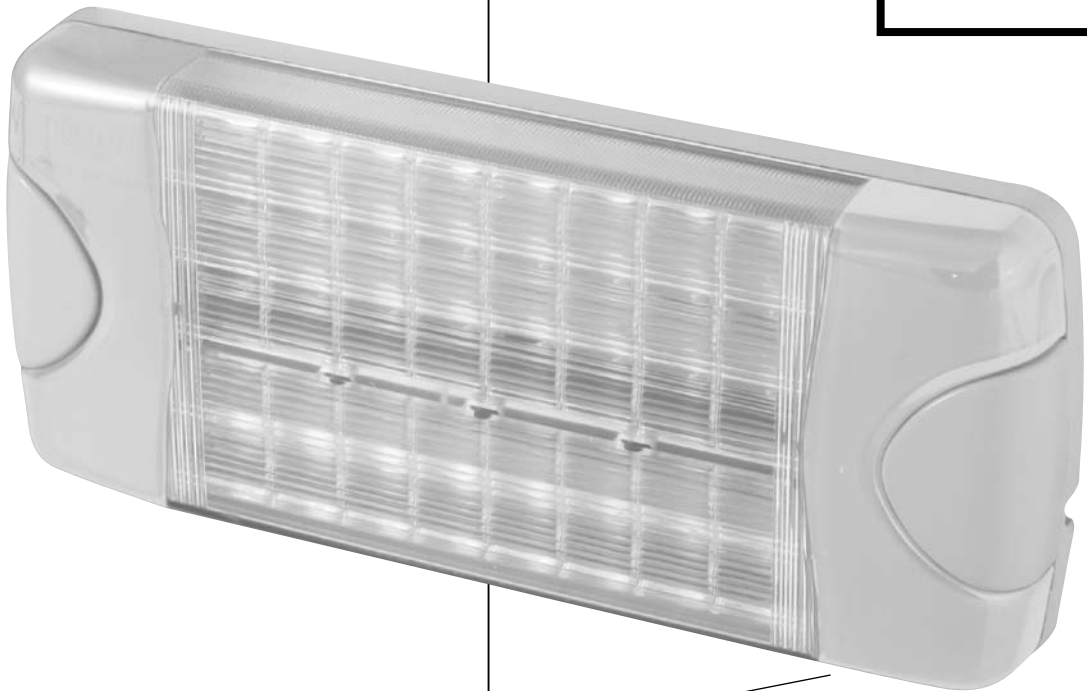
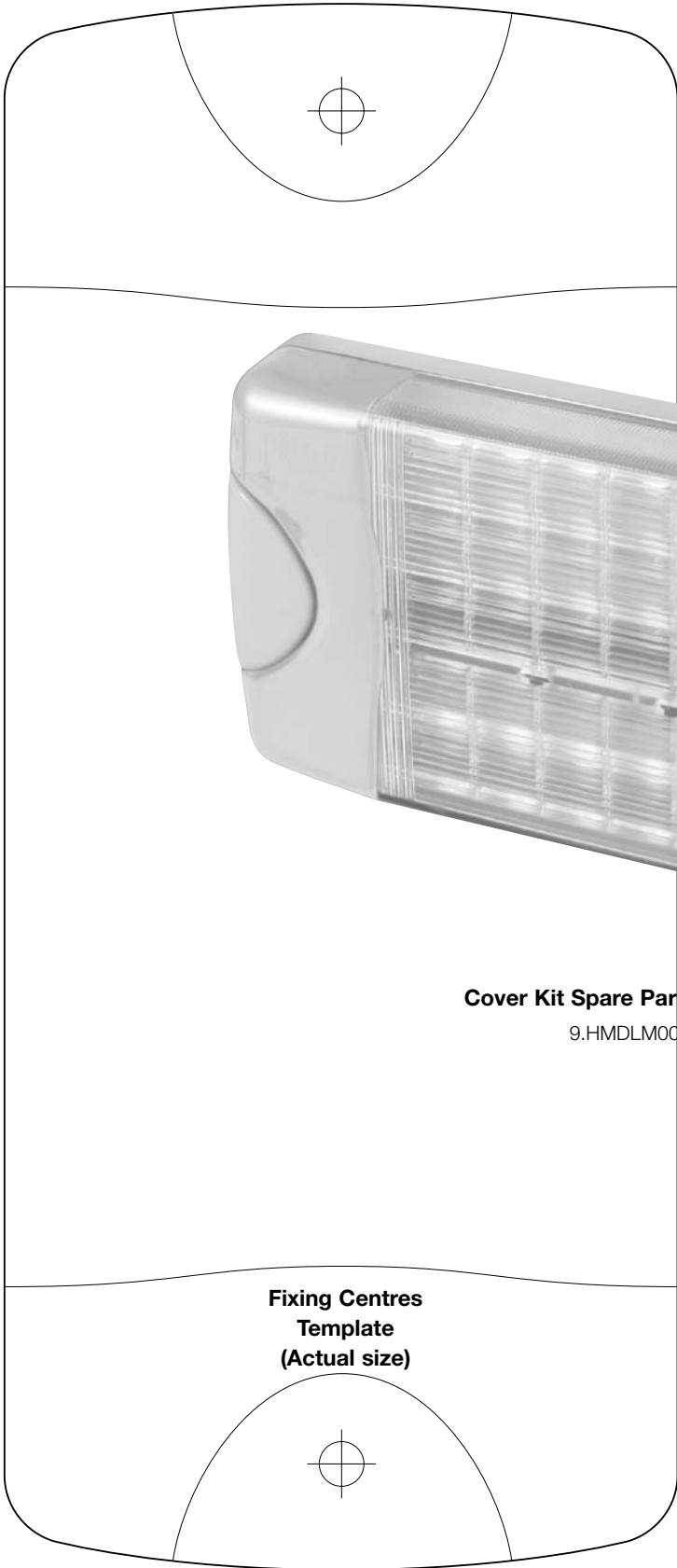


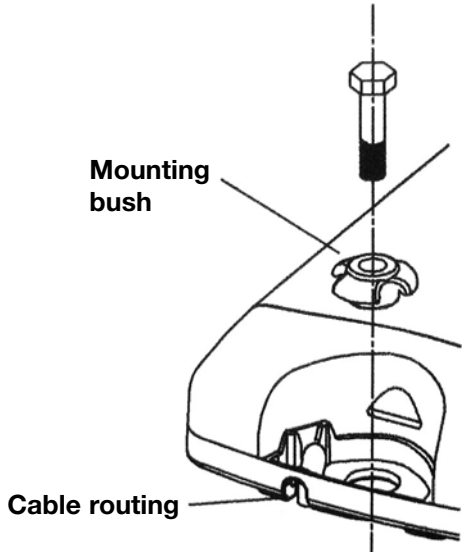
DuraLed[®] MSIP

LED Red/Green Signal Lamp
Mounting Instructions
Please retain for future reference

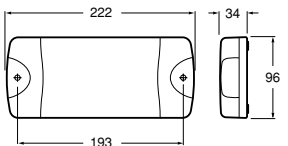
Hella Part No.
HM95905030

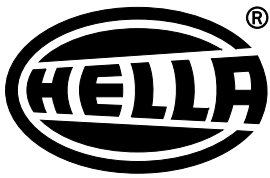


Cover Kit Spare Part:
9.HMDLM001



Note: Bolts not included





DuraLed[®] MSIP

LED Rear Signal Lamp
Mounting Instructions
Please retain for future reference

Technical data

Colour	Connect to	Power Consumption
White	Negative (-)	–
Red	Red (+)	5 watts
Blue	Green Low (+)	5 watts
Brown	Green High (+)	1 watt

Features Include:

- **Multivolt** capable (8-28volts)

Lamp Mounting Instructions:

- Lamp mounting surface should be vertical to the ground.
- Lamp must be mounted horizontally for optimum wide angle light distribution.
- Lamp should be unobstructed by any part of the vehicle.

Screw Cap Removal

Carefully insert a small flat blade screwdriver between the cap and the lens and pull towards the lens, the cap will clip off.
To install the cap push in by hand until the top is flush with the lens.

Surface Mounting:

Drill two holes up to 6.5mm Ø at 193mm centres. 6mm Ø screws or bolts are recommended to mount the lamp using the mounting bushes provided.
The lamp should be mounted on a flat surface.

- If passing the cable through a hole, ensure there are no sharp edges to cut or chafe the cable. Alternatively, cable can be routed through the end of the base.
- Connect cable as per chart above.
- Try to keep the cable length as long as possible, preferably join the cable inside a sealed cable junction box.
- Clip the screw caps on securely until flush with the lamp surface.

Note: When mounting lamp units side by side allow a gap of 5mm to ensure screw cap removal.

Wiring

Note: Lamp is polarity conscious.
The reversal of the polarity will not damage this product but will inhibit its function.

Warranty:

Hella branded products are covered by a warranty against manufacturing or material defects. Lamp is sealed and does not have any serviceable parts inside; opening the lamp will invalidate warranty.

- Hella shall be absolved from all responsibility for any modifications performed on the luminaire
- Use only certified original equipment for replacement purposes

