



# UltraBeam Halogen

H9 Halogen Worklamp

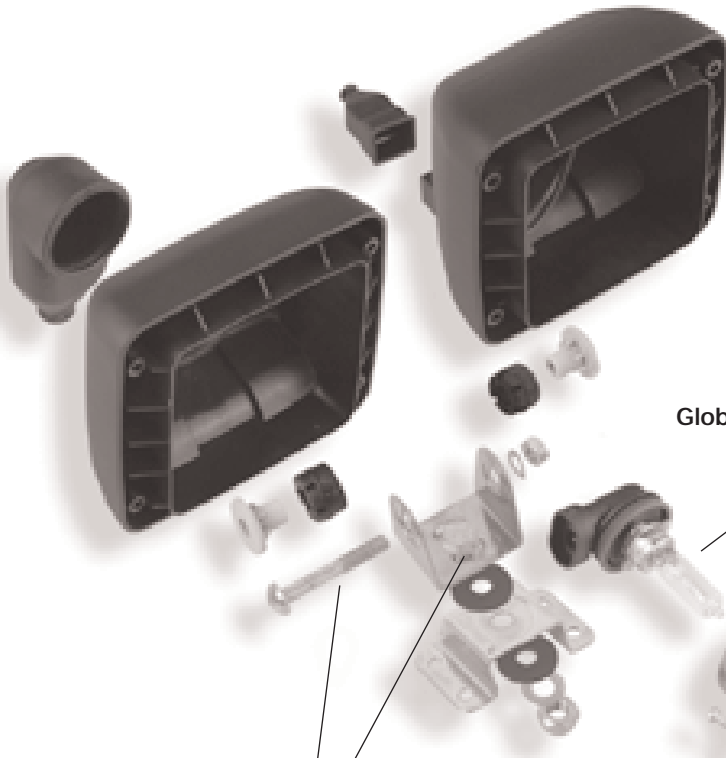
## Mounting instructions

Please retain for future reference

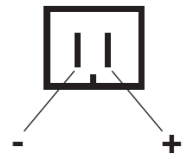


### Hella Part No.

- HMUBH19WBA
- HMUBH19NBA
- HMUBH19WBD
- HMUBH19NBD
- HMUBH09WBA
- HMUBH09NBA
- HMUBH09WBD
- HMUBH09NBD



### AMP PLUG Pin Configuration

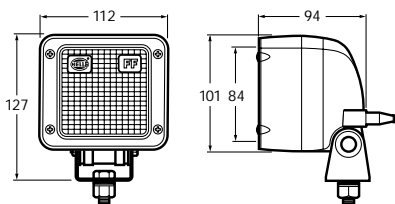


### Globe Spare Part:

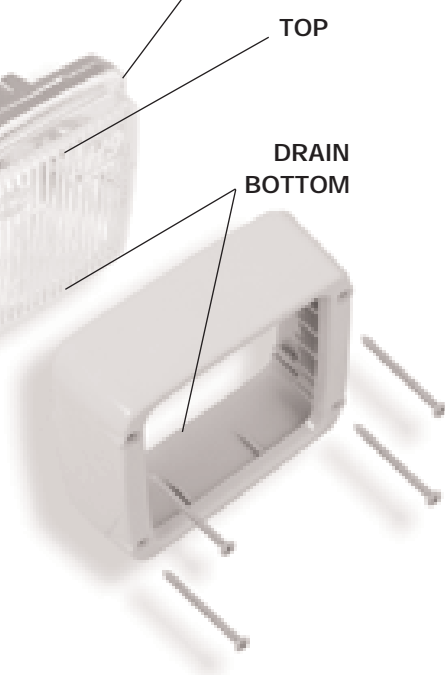
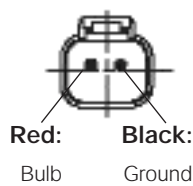
CF1265

**Optic Spare Part:**  
 Insert - Wide Optic 9.HMASHWB  
 Insert - Narrow Optic 9.HMASHNB

Torque settings for bolt  
20Nm



### DEUTSCH PLUG Pin Configuration





# UltraBeam Halogen

H9 Halogen Worklamp

## Mounting instructions

Please retain for future reference

### Technical data

Specifications	Voltage
	12 V
Rated voltage	12 V
Operating voltage	12 V
Input current (in steady state)	65W 5.4A
Mass	0.75kg
Exceeds Hella requirements	Class 4
Lamp type	H9
Protection code	IP6K7

#### -Installation and Operation Instructions for Double Beam Worklamps:

##### Warning!

Use only heat-resistant, silicone-insulated cables and connectors inside the housing.

##### Mounting:

- After ascertaining desired position on front of vehicle, allowing enough space for adjustment, ensure that the lamps are fitted to rigid point of the vehicle.  
This minimises vibration, transmission and possible adverse effects on beam alignment and globe life.
- Drill an 11mm hole for the lamp mounting bolt. Tighten bolts firmly, Use template.
- When mounting relay ensure cable between battery, relay and lamps is kept as short as possible.  
Relay should be protected from water, dust and heat and mounted with the terminals pointing down.
- Take care of the correct lens position (**"TOP" upwards, "HELLA" visible, drain hole downwards**).

##### Wiring procedure:

- (✓) Tick as completed.
- Disconnect the earth cable from the vehicle battery.
  - Connect a 3mm cable from the high beam terminal 56A of the headlight dipper switch.
  - Connect a 3mm cable from a fused active supply (vehicle fuse box) to one side of the on/off control switch.
  - From the remaining terminal of the on/off control switch connect to terminal 86 of the relay.
  - Using the 4mm cable connect terminal 30 of the relay via fuse to a major active supply (starter solenoid, alternator or battery).
  - Connect terminal 87 of the relay to both lights (globes) using 4mm cable and screw connector.
  - Connect terminal 85 of the relay to the vehicle earth using 3mm cable.
  - SEE NOTE. Connect the earth terminal on the globe holder to the earth cable inside the lamps (where fitted) or run back to the chassis earth or negative battery terminal.
  - Thoroughly check all connections and wiring. Only then re-connect earth cable to battery.
  - Test and align lights, then finally tighten all mounting bolts.

##### Note:

Use a separate earth cable for best results.

The use of a Hella relay is recommended.

Recommended Hella Relay	Fused	Unfused
	3076 12Volt	3078 12Volt
	3077 24Volt	3079 24Volt

Waterproof relay HMWPR001 12 volt

##### When using the lamp please note the following:

- The lamp may not be operated in small enclosed spaces.
  - The distance between the lens and any combustible materials has to be at least 1m (40").
  - Avoid looking directly into the intensive light.
  - Only touch the worklamp after it has cooled down.
  - The lens may occasionally be cleaned.
  - No aggressive or abrasive cleaners may be used.
  - Beware! Do not wash the lens with liquid substances while switched on or while the lens is still warm, as the lens might crack!
- Hella shall be absolved from all responsibility for any modifications performed on the luminaire
  - Use only certified original equipment for replacement purposes

